

# StatClean

Ultrasonic Cleaner



Code: SC-P4862

## Treat Yourself to a Quiet Ultrasonic

**StatClean's** 1.6 gallon tank and convenient self docking lid holds a variety of instruments in the unique hands free drying basket, making it the perfect ultrasonic to complete your reprocessing needs.



### Quiet

StatClean's 4.5 mm thick wall housing, made from engineering grade plastic, is quieter than most steel housing designs. This makes StatClean one of the quietest ultrasonic units on the market.



### Easy to Use

StatClean's 3-color LED display accurately displays the 1 – 30 minute full range timer and degas\* option. The StatClean is equipped with advanced power-off memory, allowing it to save the last timer setting.

The easy-to-access drainage valve eliminates the need to manually empty a tank of solution, eliminating the possibility of spills.



### Power

Two industrial grade ultrasonic transducers with independent control circuits provide uniform distribution of ultrasonic waves, increasing cleaning efficiency by up to 40% over other units on the market.



### Water Resistant

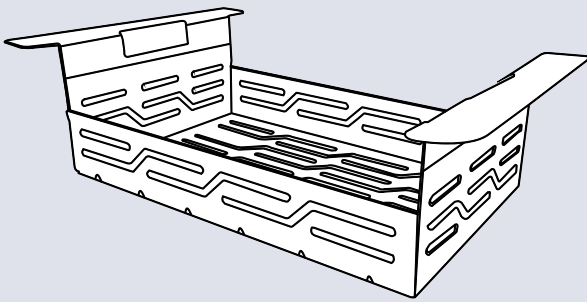
The StatClean has been designed to be resistant to water penetration within the control panel to ensure continued optimal performance.

\* Please consult your instrument cleaning solution instructions for use to determine if degassing is required.

## StatClean Specifications

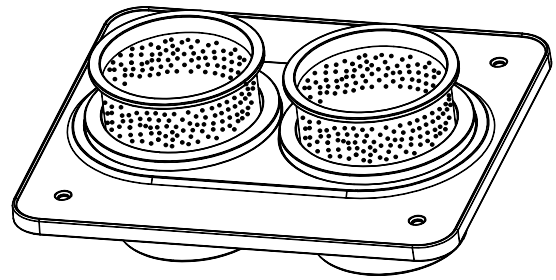
<b>Unit Size</b>	20.3" x 12.0" x 9.4" (51.5 x 30.5 x 24.0 cm)
<b>Power Supply</b>	120W (AC 100-120V, 50/60 Hz)
<b>Tank Capacity</b>	1.6 gallon (6.0L)
<b>Maximum Capacity</b>	1.3 gallon (5.0L)
<b>Minimum Capacity</b>	0.9 gallon (3.35L)
<b>Tank Size</b>	12.8" x 8.1" x 3.9" (32.3 x 20.5 x 9.9 cm)
<b>Longest item fits inside tank</b>	13.4" (34.0 cm)

## Accessories



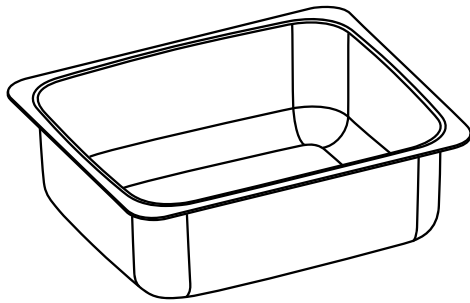
Stainless Steel Basket

**SC-SOB4862A**



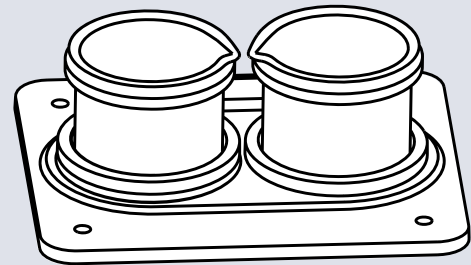
Double Beaker Holder Set:  
500ml Glass + SS Perforated Beaker

**SC-BHK04A**



Removable Cleaning Chamber

**SC-IT4862A**



Double Beaker Holder

**SC-BHK02A**

Manufactured for / Distributed by:  
**SciCan Ltd.**  
1440 Don Mills Rd.,  
Toronto, ON, Canada, M3B 3P9  
T 416-445-1600  
TF 1-800-667-7733  
customerservice@scican.com

Distributed by:  
**Coltene/Whaledent, Inc.**  
235 Ascot Parkway  
Cuyahoga Falls, OH 44223 / USA  
T 1 800 221 3046  
TF 1 330 916 8800  
info.us@coltene.com